



Encore Commercial Products, Inc.
 37525 Interchange Drive, Farmington Hills, MI 48335
 Toll Free 1-866-737-8900 Fax 248-354-4095
www.postguard.com

Title: Post Guard Traveler

Drawing Number: PGTVR

Recommended Use:

Traveling Post
Guard Cover

Specifications: 4.5" x 52" Post
Guard Traveler

Date: 11/12/2020

Size: Various

Page: 1 of 1

Includes:

- (1) Rubber hexagon base
- (4) 3/8-16 x 3" long hex screws
- (8) 3/8 USS flat washer
- (4) 3/8 lock washer
- (4) 3/8-16 hex nut
- (1) Top compression ring
- (1) 4.5" x 52" Post Guard Cover

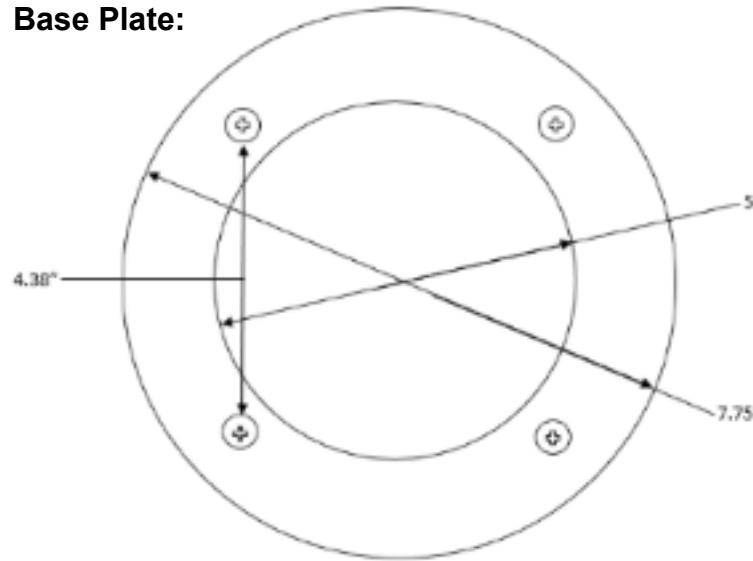
Optional Add-On:

- Caster Kit
 - (2) Casters
 - (2) 5/16" x 5" long lag bolt
 - (8) #10 x 1" long pan HD machine screws
- Chain Kit
 - Yellow Plastic Chain 2" x 50'
 - Galvanized Chain 3" x 36'
- Eye Bolts
 - (2) Eye bolts

Materials:

- Bollard Cover - HDPE Plastic
- Carbon Steel Plate .188" Thick
- Recycled Rubber Base

Base Plate:



Rubber Base:

